

INSTRUCTIONS AND WARRANTY

SP-ED 82

Technical data

Please visit www.kiteoptics.com for all technical data and descriptions of the SP-ED 82.

Warranty

SP-ED 82 – 30 year warranty

Delivery

- SP-ED 82 body
- 25-50x WA or 20-60x Zoom eyepiece
- Warranty card

The SP-ED 82

1 eyecup – 2 zoom wheel – 3 eyepiece lock - 4 focusing wheel 5 tripod foot – 6 viewing angle screw
7 retractable sunshield



1. Adjusting the eyecups for use with and without spectacles

Turn the eyecup counterclockwise for observation without spectacles.
Turn the eyecups clockwise for observation with spectacles.



2. Using the zoom wheel

The scope is equipped with a zoom function, from 25x magnification to 50x magnification.

To change magnification, turn the zoom wheel clockwise to lower magnification, and counter clockwise to increase magnification.



3. Eyepiece locking bayonet.

The scope is delivered with the 25-50x WA eyepiece mounted, and the bayonet-ring is placed in the locked position to make sure the eyepiece is secured.

For removing of the eyepiece, turn the bayonet-ring in the 'open position'. Turn the eyepiece counter clockwise until it can be pulled out of the scope body.

For mounting of the eyepiece. Align the marking on the eyepiece with the marking on the bayonet-ring, push the eyepiece into the scope body and turn the eyepiece clockwise to mount it. Finish by placing the bayonet-ring in the locked position.

4. Focusing wheel

Turn the focus wheel to obtain a sharp image of objects nearby or far away.



5. Tripod foot

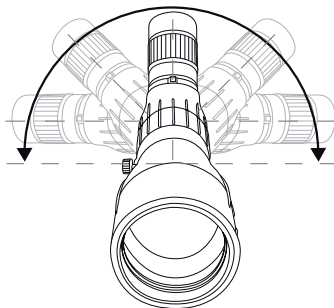
The SP-ED 82 tripod foot fits directly into the Manfrotto 128RC tripod head.

With its 3/8" thread, it can also be mounted on any other tripod head.

6. Viewing angle screw

When the scope is mounted on a tripod. You can choose the desired viewing position.

Unlock the screw, and you can click the scope to a 0° - $\pm 45^\circ$ - $\pm 90^\circ$ angle. Lock the screw to keep the scope in position.



7. Using the sunshield

the sunshield can be retracted to protect the objective lens from rain, or keep away disturbing lateral light.

